



FOR FAST QUOTE, complete form and send
 via **EMAIL**
 engineering@greenleafcorporation.com
 via **FAX**
 814-763-4040

Ring Max™ Lathe Quote Request Form

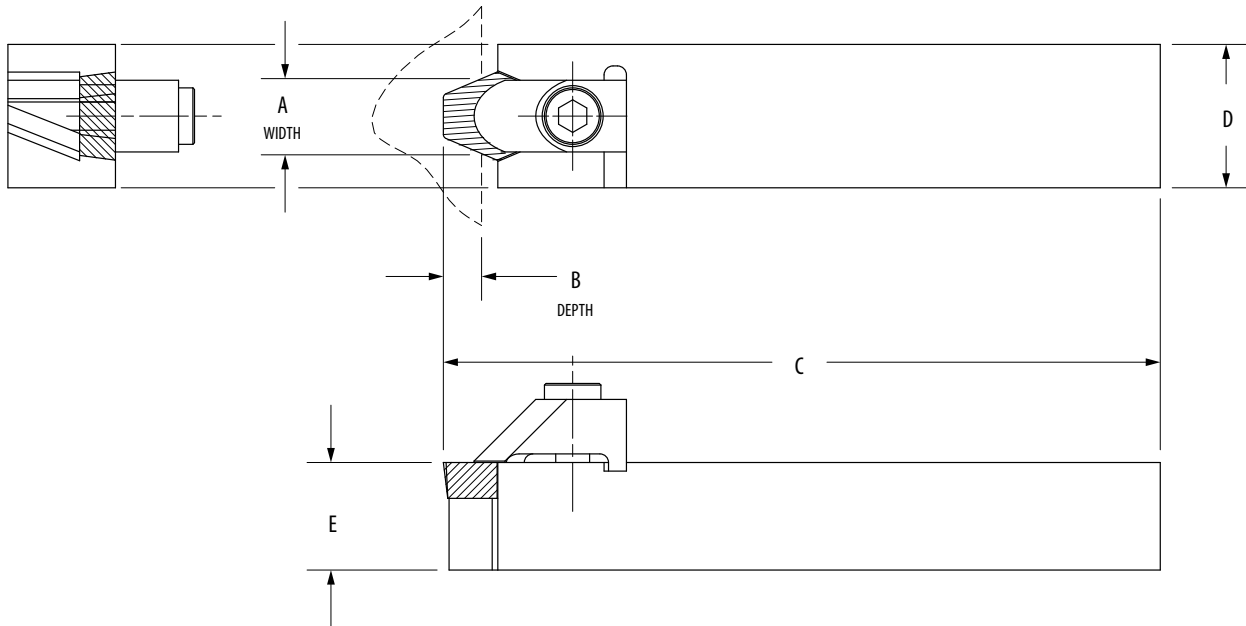
Part Information:

Part Name _____

Clad Material: _____ Insert Grade: _____

Quote quantities: Heads: _____ Cartridges: _____ Inserts: _____

Additional comments: _____



Dimensions (Please provide required tolerances.)				
A ± _____	B ± _____	C ± _____	D ± _____	E ± _____

Company _____

Customer Number _____

Attention _____

Customer Inquiry Number _____

Street _____

Ship to City _____ Country _____

City _____ State _____ Zip Code _____

Send Copy to _____

Phone _____ FAX _____

Email _____ Sales Rep _____

Date Received _____

**Quote
Due Date** _____