



**FOR FAST QUOTE**, complete form and send  
 via EMAIL  
 engineering@greenleafcorporation.com  
 via FAX  
 814-763-4040

**Ring Max™ II Quote Request Form**

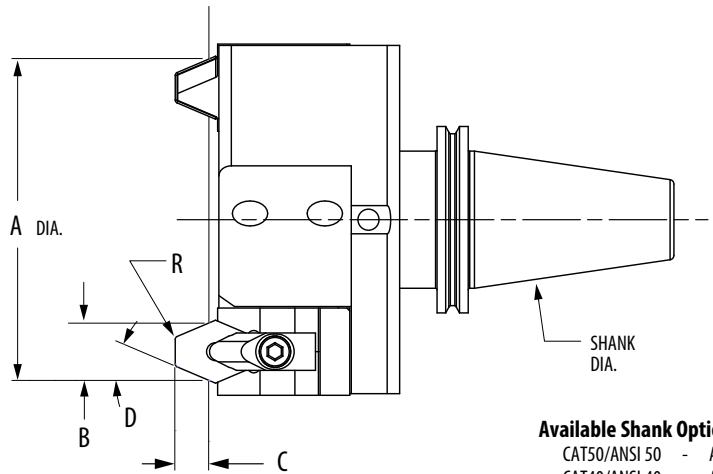
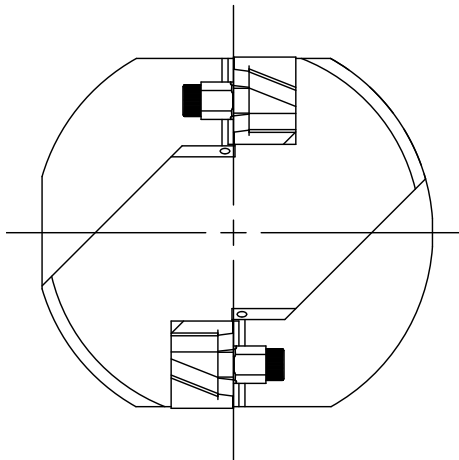
**Part Information:**

Part Name \_\_\_\_\_

Clad Material: \_\_\_\_\_ Insert Grade: \_\_\_\_\_

Quote quantities: Heads: \_\_\_\_\_ Cartridges: \_\_\_\_\_ Inserts: \_\_\_\_\_

Additional comments: \_\_\_\_\_



- Available Shank Options:**
- CAT50/ANSI 50 - A50
  - CAT40/ANSI 40 - A40
  - NMTB-50 - N50
  - NMTB-40 - N40
  - BT-50 - BT50
  - BT-40 - BT40
  - DIN 2080-A 50 - MN50
  - DIN 69871-A 50 - D50
  - HSK-100 - H100
  - CAPTO C-8 - C8

Dimensions <i>(Please provide required tolerances.)</i>					Shank
A ± _____	B ± _____	C ± _____	D ± _____	R ± _____	

Company \_\_\_\_\_

Customer Number \_\_\_\_\_

Attention \_\_\_\_\_

Customer Inquiry Number \_\_\_\_\_

Street \_\_\_\_\_

Ship to City \_\_\_\_\_ Country \_\_\_\_\_

City \_\_\_\_\_ State \_\_\_\_\_ Zip Code \_\_\_\_\_

Send Copy to \_\_\_\_\_

Phone \_\_\_\_\_ FAX \_\_\_\_\_

Email \_\_\_\_\_ Sales Rep \_\_\_\_\_

Date Received \_\_\_\_\_

**Quote  
Due Date** \_\_\_\_\_