



FOR FAST QUOTE, complete form and send
via **EMAIL**
engineering@greenleafcorporation.com
via **FAX**
814-763-4040

Ring Max™ III Pre-Clad Head Quote Request Form

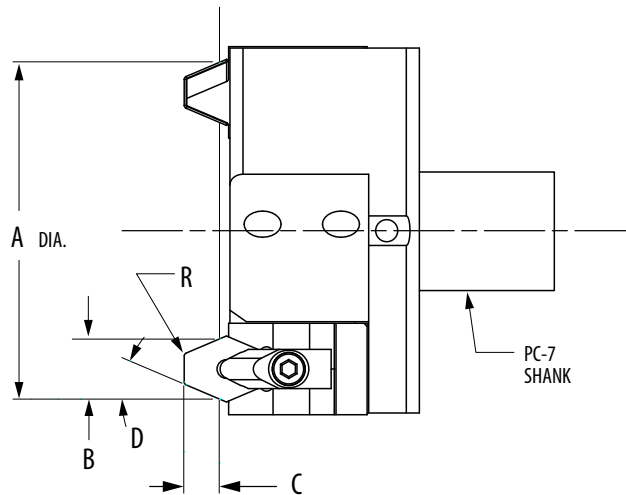
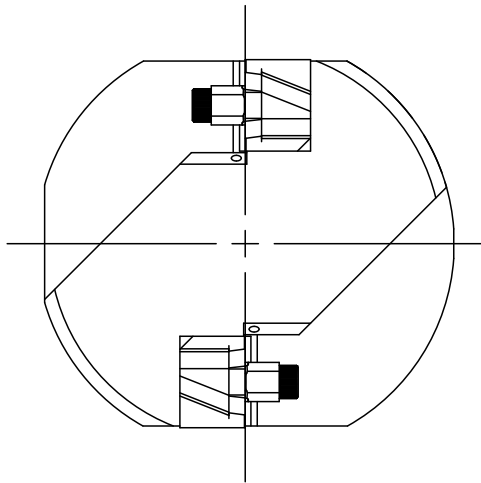
Part Information:

Part Name _____

Clad Material: _____ Insert Grade: _____

Quote quantities: Heads: _____ Cartridges: _____ Inserts: _____

Additional comments: _____



Dimensions (Please provide required tolerances.)				
A ± _____	B ± _____	C ± _____	D ± _____	R ± _____

Company _____

Customer Number _____

Attention _____

Customer Inquiry Number _____

Street _____

Ship to City _____ Country _____

City _____ State _____ Zip Code _____

Send Copy to _____

Phone _____ FAX _____

Email _____ Sales Rep _____

Date Received _____

**Quote
Due Date** _____